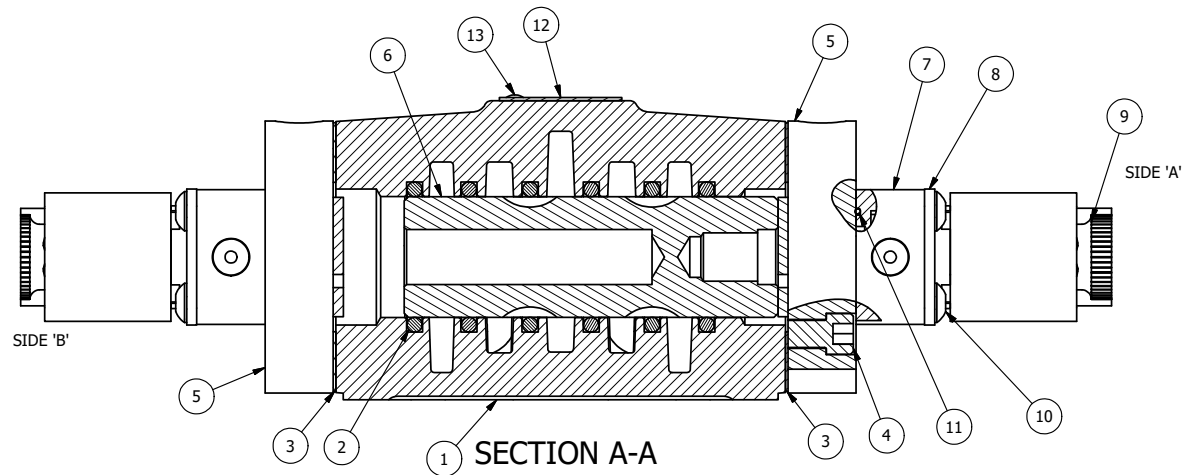


POSITION GASKET TO SEAL PILOT HOLE, BOTH SIDES.  
 THE ROUND ALUMINUM ADAPTOR IS ROTATED 180 DEGREES.  
 SUPPLY 50-150 PSI TO 1/8\"/>

NOTES:  
 1) ALWAYS GIVE VALVE MODEL AND PART NUMBER WHEN ORDERING PARTS.



FLG	QTY	PART NO	DESCRIPTION
13	2	V-212	SCREW, #2 X 3/16 DRIVE, TYPE U, OVAL HEAD, STAINLESS STEEL
12	1	AN-115	NAMEPLATE, BLANK, FOR HE,KE,KD,RR,D,CR,PP,SR,SS VALVES
11	2	EMG3	GASKET - END MOUNT SOLENOID, BUNA-N, 1/4\"/>
10	8	V-584	SCREW, 10-24 X 1, BUTON HEAD SOCKET CAP WITH MICROSPHERE APPLIED TO THREADS.
9	2	V-567W	E SERIES SINTERED BRONZE MUFFLER, DUST EXCLUDER, V-613 LOCK WASHER
8	2	SEC3-7	PLATE, RE-INFORCEMENT, SOLENOID, STAMPED, 304 STAINLESS
7	2	V-564	SYSTEM 8 INTRINSICALLY SAFE SOLENOID OPERATOR.
6	1	S4	SPOOL - STANDARD, 2 POS, CLSD CTR, 1/2\"/>
5	2	SSA48-1E	ADAPTOR, END MNT SOLENOID, 1/2\", 3/4\"/>
4	8	V-46	SCREW, 1/4-20 X 3/4, SOCKET HEAD CAP
3	2	ECG48	GASKET - END CAP, 1/2\", 3/4\"/>
2	6	V-6	O-RING, BUNA-N, 70 DURO, AS-216, (REF 1-1/8 X 1-3/8 X 1/8), 1/2\"/>
1	1	B4-1	BODY, 1/2\"/>

LIMITS ON DIMENSIONS UNLESS OTHERWISE SPECIFIED		2-PL DECIMAL ± .01 3-PL DECIMAL ± .005 FRACTIONAL ± 1/64 ANGULAR ± 1/2°		<b>AAA PRODUCTS INTERNATIONAL</b> 7114 Harry Hines Blvd Dallas, TX 75235
DRAWN: RMckenna	DATE: 2/12/2019	CHECKED: KWaite	DATE: 2/12/2019	
SCALE: 1 : 1	SHEET: 1 OF 1	RELEASED: HWomack	DATE: 2/12/2019	
TITLE: 1/2\"/>			PART NO.: ESS4ALZ 24VDC	REV.:

THE INFORMATION CONTAINED WITHIN THIS DOCUMENT IS PROPRIETARY TO AAA PRODUCTS AND MAY NOT BE DISCLOSED WITHOUT PRIOR WRITTEN CONSENT

D:\Engineering\Product Valve Assembly\Standard\SSA\DWG\ESS4ALZ 24VDC.dwg